



# L2-ENC28-WH-A

## Enclosure Wiring Harness for 1-4 PDM & AC/DC Supply

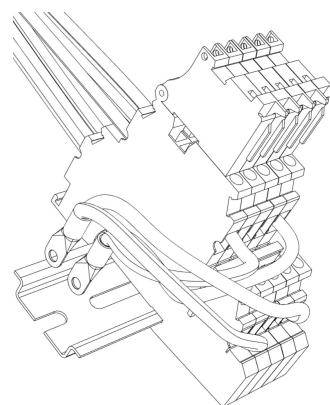
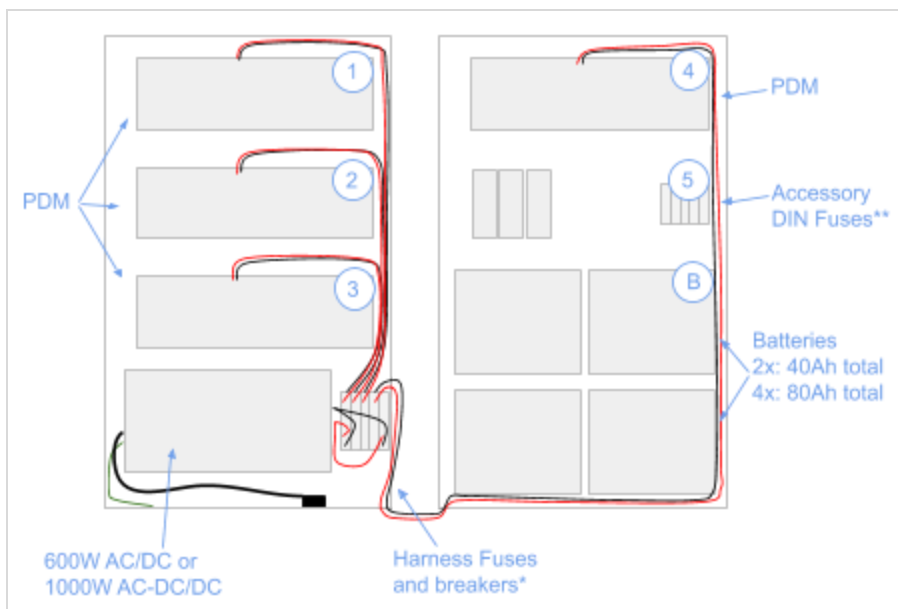
The wiring harness provides DC power to the PDMs in the enclosure.

**Connects these devices:**

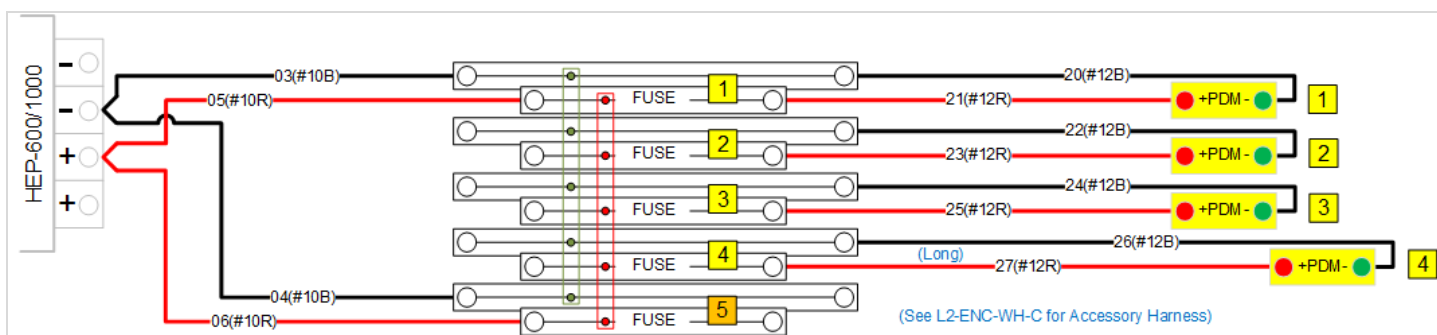
- 1 600/1000W Power Supply
- 1-4 PDM (3 first, 1 second)
- 1 AC Outlet to Power Supply

**Partially Assembled Kit Includes:**

- 4 PDM Fuses with Negative PassThru
- 8 #12 AWG wires from Fuses to PDM
- 4 #10 AWG wires from PS to Fuses
- 1 Accessory Fuse w/Negative PassThru
- 2 5 position power bus bars
- 4 PDM wire end insulators
- 1 6.5cm DIN
- 1 AC Ground Lug w/self tap screw
- 1 NEMA 5-15 Right Angle AC



**Circuit Diagram:**



**ORDERING INSTRUCTIONS:**

| PART ID    | MODEL         | DESCRIPTION   |
|------------|---------------|---|
| 10010250.0 | L2-ENC28-WH-A | Enclosure Wiring Harness for 1-4 PDM & AC/DC Supply |



# L2-ENC28-WH-A

## WIRE MAP:

| <u>WIRE</u> | <u>AWG</u> | <u>LENGTH</u> | <u>END</u>            | <u>DEVICE</u>         |
|-------------|------------|---------------|-----------------------|-----------------------|
| 03          | #10 BLK    | 29cm          | Strip-10mm, Ring#8-3M | PS- / Fuse-PassThru   |
| 04          | #10 BLK    | 28cm          | Strip-10mm, Ring#8-3M | PS- / Fuse-PassThru   |
| 05          | #10 RED    | 22cm          | Strip-10mm, Ring#8-3M | PS+ / Fuse+           |
| 06          | #10 RED    | 25cm          | Strip-10mm, Ring#8-3M | PS+ / Fuse+           |
| 20          | #12 BLK    | 85cm          | Strip-10mm, Strip-6mm | Fuse-PassThru / PDM-  |
| 21          | #12 RED    | 88cm          | Strip-10mm, Strip-6mm | Fuse+ / PDM+          |
| 22          | #12 BLK    | 116cm         | Strip-10mm, Strip-6mm | Fuse-PassThru / PDM-  |
| 23          | #12 RED    | 120cm         | Strip-10mm, Strip-6mm | Fuse+ / PDM+          |
| 24          | #12 BLK    | 149cm         | Strip-10mm, Strip-6mm | Fuse-PassThru / PDM-  |
| 25          | #12 RED    | 152cm         | Strip-10mm, Strip-6mm | Fuse+ / PDM+          |
| 26          | #12 BLK    | 376cm         | Strip-10mm, Strip-6mm | Fuse-PassThru / PDM-  |
| 27          | #12 RED    | 350cm         | Strip-10mm, Strip-6mm | Fuse+ / PDM+          |
| G           | #18 GRN    | 57cm          | Ring#12-3M, Strip-8mm | PS Ground / Enclosure |

## DIN MODULES INCLUDED IN HARNESS:

| <u>QTY</u> | <u>PART#</u>            | <u>MODEL</u>     | <u>DESCRIPTION</u>        |
|------------|-------------------------|------------------|---------------------------|
| 5          | <a href="#">3214325</a> | UT-4-L-HESI-5X20 | 2 Layer Fuse and PassThru |
| 2          | <a href="#">3030349</a> | FBS-5-6          | Bridge 5pos 6.3mm Red     |
| 2          | <a href="#">0800886</a> | E/NS 35 N        | Locking End Cap           |
| 1          |                         |                  | DIN Rail, 35mm x 6.5cm    |